



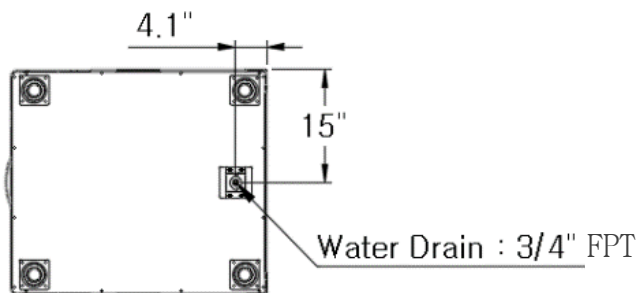
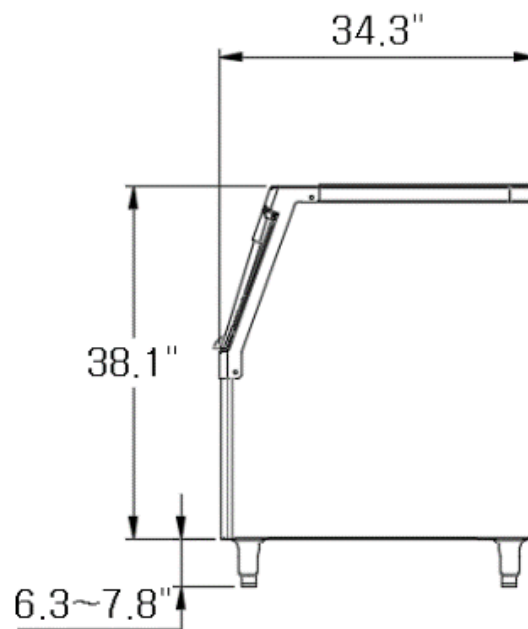
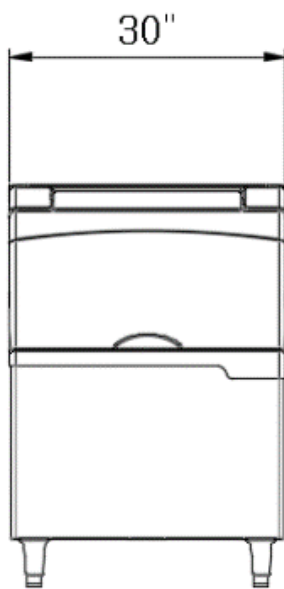
IB-033

Features

- High Quality construction and components
- High density Urethane insulation
- Convenient Door Handle
- 350 lbs storage capacity
- Adjustable leg height
- High quality Stainless Steel Exterior



IB-033 STORAGE BIN



Dimensions	W	D	H
in	30	34.3	38.1

Weight	Lbs	Kg
IB-033	121	55