

# OptiPure

Model: **QTCR-2**  
Part #: 170-52132

## Snapshot

The QTCR-2 is a dual-cartridge water treatment system with parallel-plumbed 15" Qwik-Twist cartridges that reduce sediment down to 5.0-microns, and reduces chlorine, taste & odor, and chloramine at a flow rate of 3.4 gpm for 20,000-gallons.

## System Benefits

- Reduces maintenance frequency and cost, and extends equipment life.
- Gradient-density sediment filtration protects against dirt, rust and other debris.
- High-capacity activated-carbon filtration makes water taste great and protects equipment against corrosive chlorine.
- New manifold design provides fewer possible leak points.
- Sturdy, powder-coated mounting bracket and multi-function valve simplify installation.
- Multi-function valve provides:
  - \* Shutoff valve for quick and simple filter replacements
  - \* System bypass valve for easy system maintenance
  - \* Flush port to flush cartridges after installation
- Built-in pressure gauge allows visual monitoring of when filters need to be changed.
- Utilizes Qwik-Twist cartridges that make changing filters quick, easy and sanitary.



ITEM #: \_\_\_\_\_ QTY: \_\_\_\_\_  
JOB NAME/NUMBER \_\_\_\_\_

## Application

**FOUNTAIN BEVERAGES** - One or two carbonators.  
**DRINKING WATER**

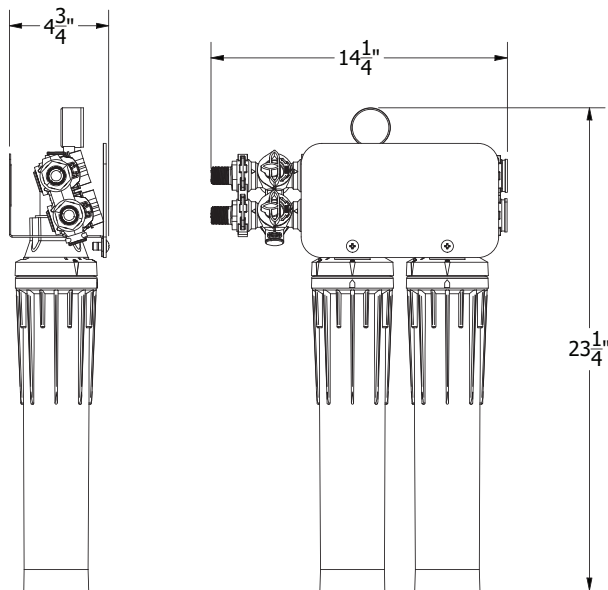
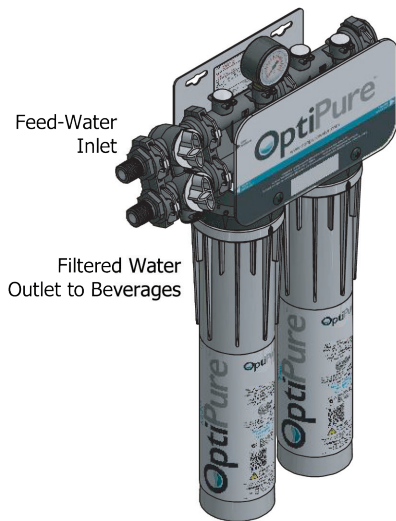
## Installation Tips

- Feed-water connection to system should be **COLD** only.
- Do not exceed system specifications for temperature and pressure.
- Allow 3" clearance below system for filter cartridge removal and replacement.
- Detailed installation, operation and maintenance manual included with each system.



# OptiPure

Model: **QTCR-2**  
Part #: 170-52132



## ► Specifications

System	
Dimensions (Height x Width x Depth, Inches)	23 1/4" x 14 1/4" x 4 3/4"
Connection - Inlet & Outlet	1/2" MNPT
Operating Pressure Range	10 - 125 psi (0.7 - 8.6 bar)
Inlet Water Temperature Range	35° - 100°F (2° - 38°C)
Shipping Weight	9 lbs.
Performance	
Chloramine, Chlorine, Taste and Odor Reduction Capacity	20,000 gals. (75,700 L)
Service Flow Rate	3.4 gpm (12.9 lpm)
Sediment Reduction	5.0 microns (nominal)

## ► Replacement Cartridge(s)

Model	Part Number	Qty
CTO-QCR2	300-05833	2

## ► Options

Model	Description	Part Number
Fitting Kit	1/2" PTC Fitting Kit	575-92272

It is recommended that pre/post-filters and mineral addition cartridges are changed every 6 months, when capacity is reached or when feedwater pressure or flow becomes inadequate.

Membrane life varies depending on feedwater conditions and pre-filter maintenance. It is 12-18 months under typical conditions, but it can be as long as 3-5 years.

This product is for commercial use only and must be installed and maintained according to manufacturer's guidelines.

Do not use on water that is microbiologically unsafe or of unknown quality without adequate disinfection before or after the system.

## OptiPure, A Division of Aquion, Inc.

101 S. Gary Ave., Suite A  
Roselle, IL 60172

p: 972.881.9797 e: info@optipure.net  
www.optipurewater.com

QTCR-2 Spec\_R2  
080519

**WARNING:**  
Cancer and Reproductive Harm -  
www.P65Warnings.ca.gov.



System certified by IAPMO R&T to NSF/ANSI standard 42 for the reduction of Chloramine, Chlorine, Taste, Odor and Particulate Class III.

## ► Warranty

All system components and assembly except for filter cartridges, separation membranes, permeate pumps, electric motors, diaphragm pumps, and rotary vane pumps shall be warranted against defects in workmanship for a period of 60 months from the date of original shipment. For complete warranty information, contact OptiPure customer service or go to www.optipurewater.com.

Dealer/Distributor Info: