

OptiPure

Model: **QTSFT-3**
Part #: 160-00450

Snapshot

The QTSFT-3 is a triple-cartridge water treatment system with three 15" Qwik-Twist cartridges. It utilizes ion-exchange resin to remove hardness minerals eliminating lime-scale deposits. The system takes out dirt and sediment down to 10-microns and includes activated carbon to reduce chlorine, off-taste and odor.

System Benefits

- Takes out hardness minerals that form damaging scale (lime-scale).
- Improves the quality and consistency of cold and hot beverages.
- Reduces maintenance frequency and cost, and extends equipment life.
- Reduces sediment, chlorine, taste and odor.
- Sturdy, powder-coated mounting bracket and full-flow inlet shut-off valve simplify installation.
- Built-in flush valve for easy cartridge flushing and hardness testing.
- Utilizes Qwik-Twist cartridges that make changing filters quick, easy and sanitary.



ITEM #: _____ QTY: _____
JOB NAME/NUMBER _____

Application

ESPRESSO MACHINES

TEA BREWERS

BUN WARMERS AND SMALL TABLE-TOP STEAMERS

Installation Tips

- Feed-water connection to system should be COLD only.
- Do not exceed system specifications for temperature and pressure.
- Allow 3" clearance below system for filter cartridge removal and replacement.
- Detailed installation, operation and maintenance manual included with each system.
- Flush system at a low flow rate for 5 minutes or until water runs clear.



Model: **QTSFT-3**
Part #: 160-00450

► Specifications

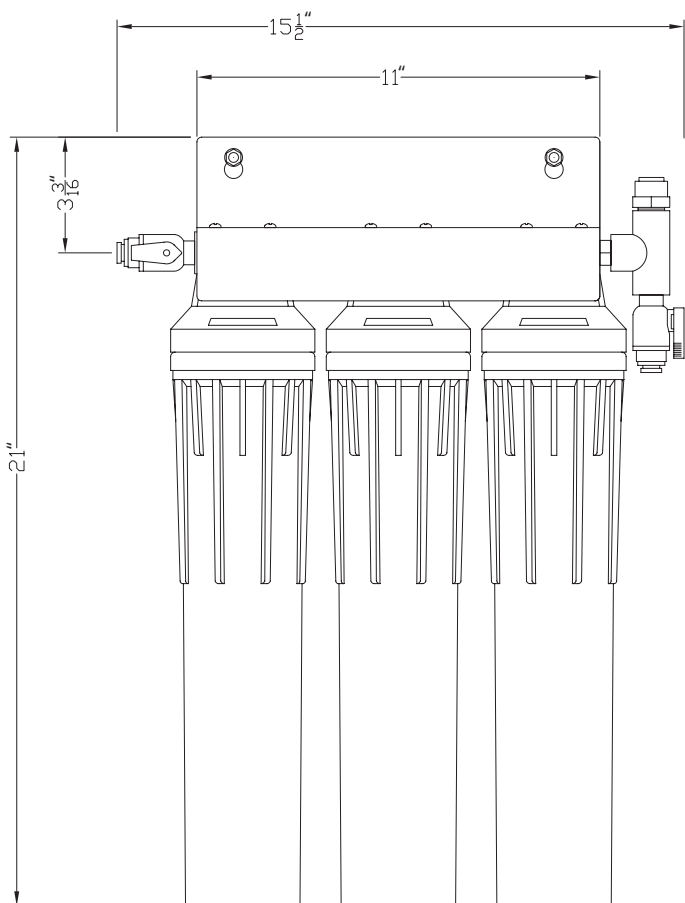
System	
Dimensions (Height x Width x Depth, Inches)	21" h x 15.5" w x 4.5" d
Connection - Inlet & Outlet	3/8" Push Fit
Operating Pressure Range	10 - 125 psi (0.7 - 8.6 bar)
Inlet Water Temperature Range	35° - 100° F (2° - 38° C)
Shipping Weight	16 lbs.
Performance	
Chlorine, Taste and Odor Reduction Capacity	1,500 gals. (5,670 L)
Service Flow Rate	1.0 gpm (3.8 lpm)
Sediment Reduction	10 microns (nominal)
Hardness Removal	4,500 grains

► Replacement Cartridge(s)

Model	Part Number	Qty
CSFT-Q	300-05885	1
SFT-Q	300-05890	2

► Options

Model	Description	Part Number
Flush Valve Kit	QT Flush Valve Kit	160-52912



WARNING:
Cancer and Reproductive Harm -
www.P65Warnings.ca.gov.

► Warranty

All system components and assembly except for filter cartridges, separation membranes, permeate pumps, electric motors, diaphragm pumps, and rotary vane pumps shall be warranted against defects in workmanship for a period of 60 months from the date of original shipment. For complete warranty information, contact OptiPure customer service or go to www.optipurewater.com.

Dealer/Distributor Info:

It is recommended that pre/post-filters and mineral addition cartridges are changed every 6 months, when capacity is reached or when feedwater pressure or flow becomes inadequate.

Membrane life varies depending on feedwater conditions and pre-filter maintenance. It is 12-18 months under typical conditions, but it can be as long as 3-5 years.

This product is for commercial use only and must be installed and maintained according to manufacturer's guidelines.

Do not use on water that is microbiologically unsafe or of unknown quality without adequate disinfection before or after the system.

OptiPure, A Division of Aquion, Inc.
101 S. Gary Ave., Suite A
Roselle, IL 60172
p: 972.881.9797 e: info@optipure.net
www.optipurewater.com