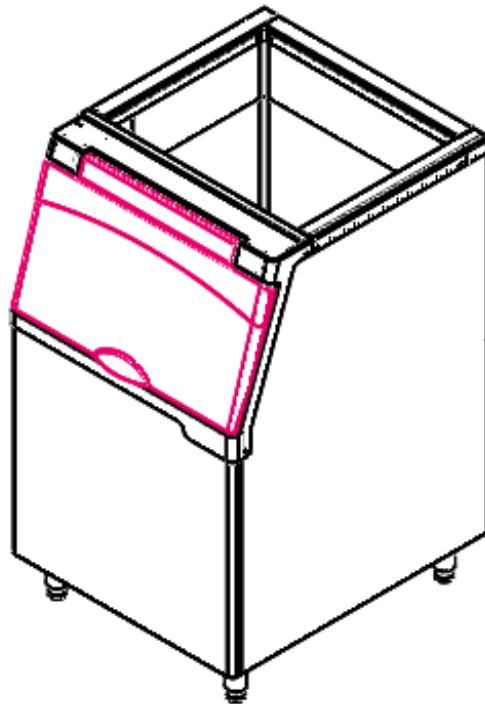


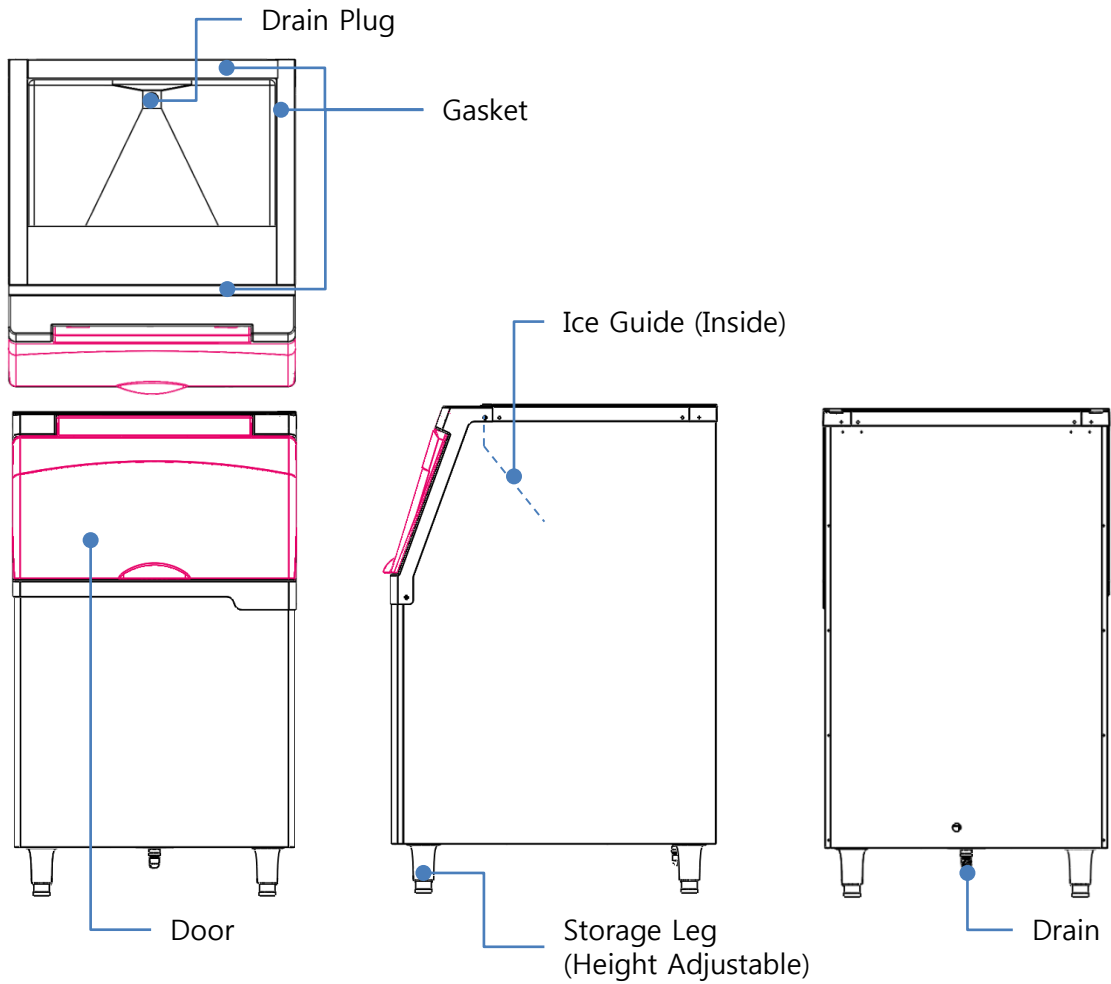
# Ice Storage User Manual

(IB-026-22/033/044)



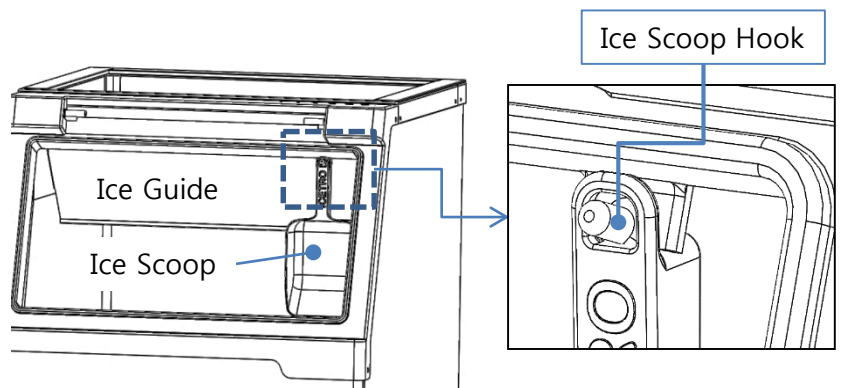
ICETRO

## Names of Parts



### [Ice Scoop Hook]

When you open the door, you will find the ice scoop hook on the right. Hang the scoop on the hook for convenience and to prevent contamination.



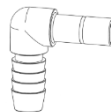
### [Accessory] 3 items in total



Ice Scoop



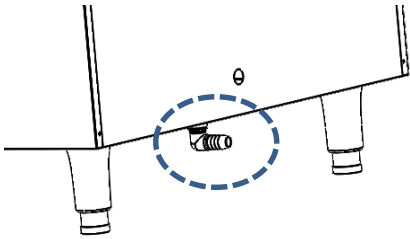
Drain Insulation



Drain Elbow

## Installation

1. Insert hose into the hose insulation and place the band spring.
2. Connect the drain hose to the drain under the product.  
Place the hose and pull it by the hand to see if it is pulled apart.  
If it holds, fix it with band spring.



Hose Insulation

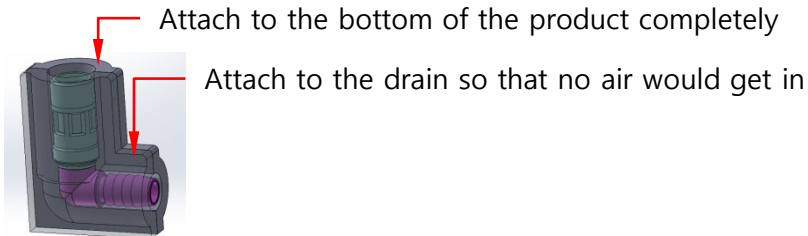


Band Spring



Drain Hose

2. Remove the transparent protective film and attach it to the drain as follows;

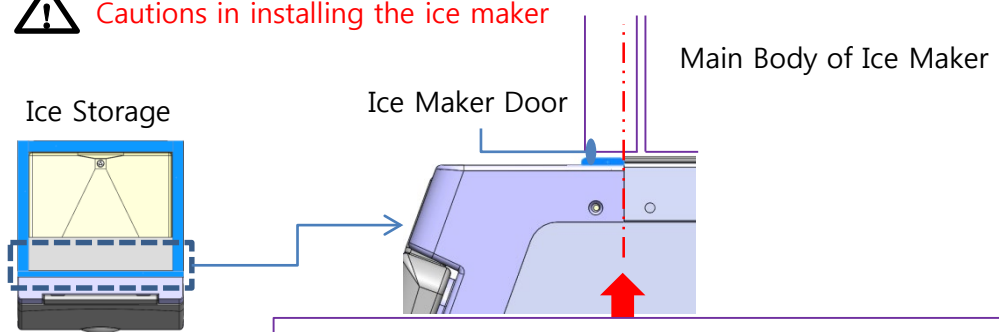


3. Cut the drain and insulation to appropriate lengths and connect to drain.

※ The hose connected to the drain shall be lower than the drain of the ice storage.  
If it is higher, the water to be drained would flow back. Adjust the legs of the storage so that the drain of the storage is at a higher position.



### Cautions in installing the ice maker

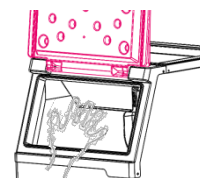


Make sure the inner side of the door of the ice maker placed on top of the storage is behind **this line**.  
(If not, it may cause dew or leakage.)



### Warning

**Be careful not to close the door while the hand is still inside.**



## Cleaning

### [Cleaning/Sanitation of Ice Scoop – Daily Cleaning Recommended]

1. Mix 1 liter of water and 5ml of 5.25% sodium hypochlorite solution (type of Clorox) (filling about half of the lid) in a suitable container
2. Place the ice scoop in the said solution for at least 3 minutes.  
After 3 minutes, rinse the scoop completely and shake off extra solution.

※ **Caution: If you use cloth to dry the scoop, it can contaminate the scoop again.**

3. Using a neutral detergent, clean inside and outside the storage door, and rinse.
4. Dampen a clean cloth in the said solution (prepared in Paragraph "1") and clean the handle.  
Rinse or dry with fresh water and clean cloth.

### [Cleaning/Sanitation inside Storage – Monthly Cleaning Recommended]

1. Open the storage door and remove all ice inside.
2. Clean inside the storage using a non-abrasive neutral detergent.
  - 1) Rinse with water thoroughly so that the detergent residue would not remain.
  - 2) Dampen a clean sponge or cloth in a neutral detergent and clean inside storage and inside/outside the door with it.  
Clean the detergent with clean cloth.

※ **After cleaning, do not wipe or rinse but dry in air.**

#### Warning

To handle cleaner and disinfectant safely, always wear rubber gloves, protective goggles, apron, and so forth.

#### Caution

- ① Use the detergent recommended by ICETRO.  
Contact the sales representative or the distributor in your area.
- ② Do not use the cleaning and disinfectant solutions together to shorten the cleaning time.
- ③ Clean splashed or spilt cleaning or disinfectant solution immediately.
- ④ Do not use ammonia based cleaner.
- ⑤ It may be difficult to clean if the ambient temperature and the water temperature is 10°C or lower. If possible, clean the product where the ambient temperature and the water temperature are 20°C or higher.