



MAESTRO SERIES

MODULAR
ICE MACHINE

IM-0680

KEY FEATURES:

- 304 Stainless Steel Exterior (durable & rust-resistant)
- Simple diagnostic panel to assist service & maintenance
- Cleaning switch for auto cleaning cycle
- Magnetic frame cleanable condenser air filters
- Adjustable flush to reduce scale & cleaning cost
- ABS antimicrobial interior to reduce slime & cleaning cost
- Water inlet valve no float valve
- Water Distributor tube & water sump removed w/o tools
- Heavy duty water curtain, pins & hangers for easy removal
- Hinged front door panel for easy access
- No screws on side or back panels for easy access
- Sides & top vent for increased ventilation
- Evaporator section reduced to impede airborne bacteria

STANDARD WARRANTY:

- Ice Maker: 3-Year Parts & Labor
- Evaporator: 5-Year Parts & 5-Year Labor
- Compressor: 5-Year Parts & 3-Year Labor

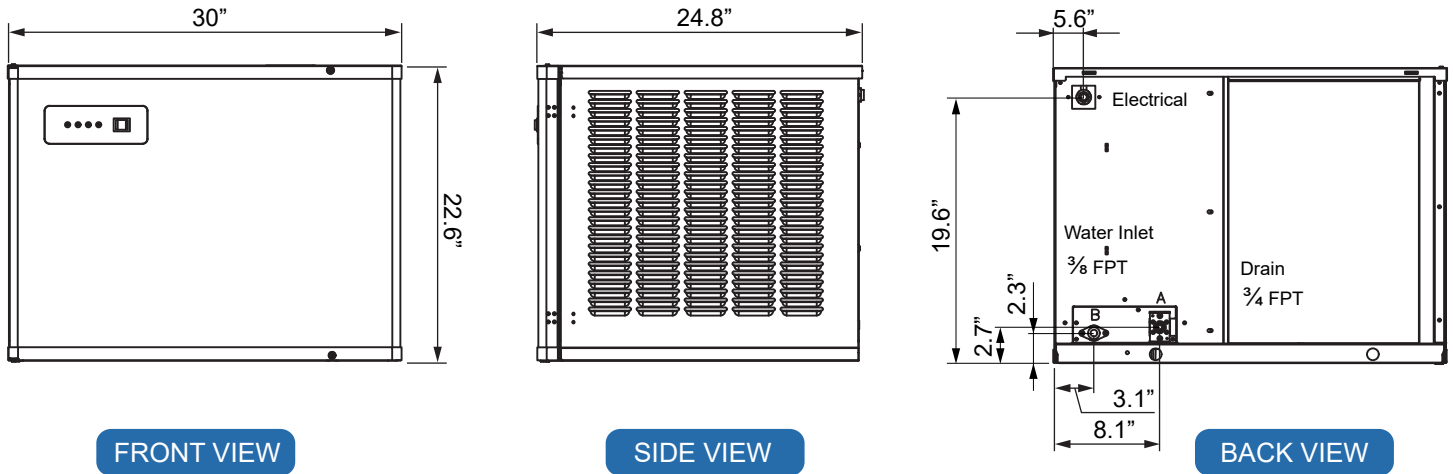
CERTIFICATIONS



OPTION: ICE STORAGE BIN (IB-033/044)



SCHEMATIC DRAWING



MODEL	DIMENSIONS	WIDTH	DEPTH	HEIGHT	WEIGHT	
IM-0680	Inch	30"	24.8"	22.6"	185.2 lbs (Net)	216.1 lbs (Gross)

SPECIFICATIONS							
Model	Ice Shape	Ice Production per 24 hrs		Gal / 100 lbs ice	kWh / 100 lbs ice	Electrical (V/Hz/ph)	Condenser
		70 °F Air / 50 °F Water	90 °F Air / 70 °F Water				
IM-0680	Cube & Half Cube	737 lbs	575 lbs	15.0	5.59	208 ~ 230 / 60 / 1	Air Cooled

ICE SHAPE: Cube & Half Cube



Cube
0.87" x 0.87" x 0.87"



Half Cube
1.14" x 0.4" x 0.87"

