

OptiPure

Model: **QTSX-2PG**

Part #: 160-52822

Snapshot

The QTSX-2PG is a dual-cartridge water treatment system with two 15" Qwik-Twist cartridges, that reduces sediment down to 0.5-microns, and reduces chlorine, taste & odor at a flow rate of 1.0 gpm for minimum of 22,500-gallons. The system includes a ScaleX2 cartridge that incorporates a chemical-free scale inhibition technology that utilizes template-induced crystallization to effectively inhibit the formation of calcium-carbonate scale. A pressure gauge kit is also included.

System Benefits

- Reduces maintenance frequency and cost, and extends equipment life.
- ScaleX2 protects boilers, steam generators, and coffee equipment against the formation and accumulation of scale.
- Gradient-density sediment filtration protects against dirt, rust and other debris down to 0.5-microns.
- High-capacity activated-carbon filtration makes water taste great and protects equipment against corrosive chlorine.
- Sturdy, powder-coated mounting bracket and full-flow inlet shut-off valve simplify installation.
- Inlet shut-off valve makes filter replacement quick and simple.
- Utilizes Qwik-Twist cartridges that make changing filters quick, easy and sanitary.
- Pressure Gauge Kit included.



Application

COFFEE & TEA - Applications up to 1.0 gpm where water hardness is a problem.

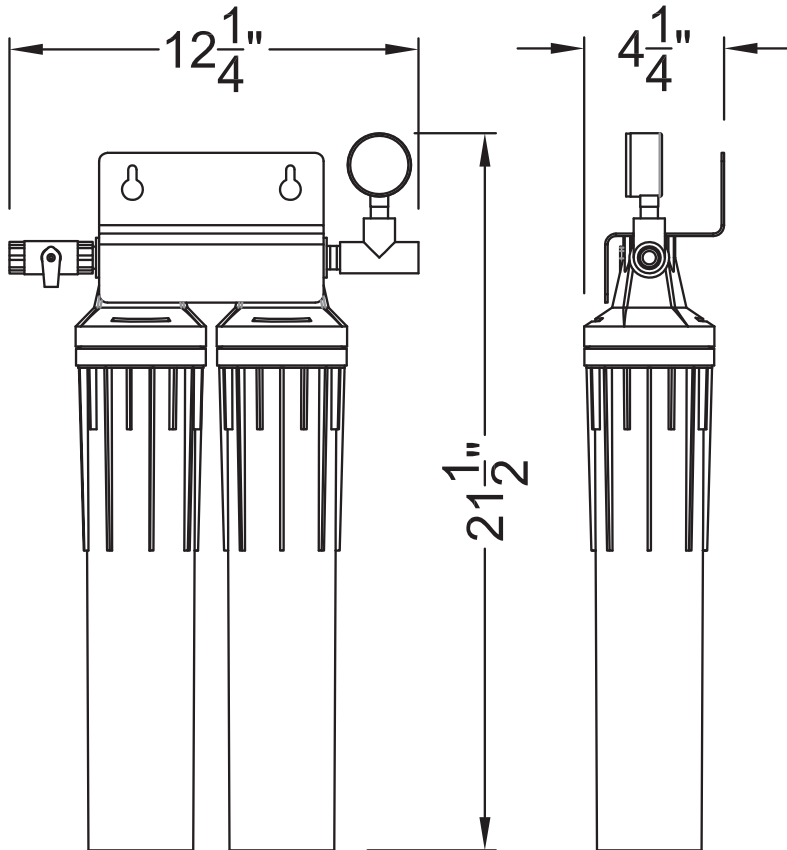
BOILER-BASED STEAM GENERATORS - Applications up to 1.0 gpm where water hardness and chlorine are a problem.

Installation Tips

- Feed-water connection to system should be COLD only.
- Do not exceed system specifications for temperature and pressure.
- Allow 3" clearance below system for filter cartridge removal and replacement.
- Detailed installation, operation and maintenance manual included with each system.
- No activation procedure or flushing required for system to perform as specified.



Model: **QTSX-2PG**
Part #: 160-52822



WARNING:
Cancer and Reproductive Harm -
www.P65Warnings.ca.gov.

► Specifications

System	
Dimensions (Height x Width x Depth, Inches)	21.5"h x 12.3"w x 4.3"d
Connection - Inlet & Outlet	3/8" NFPT
Operating Pressure Range	10 - 125 psi (0.7 - 8.6 bar)
Inlet Water Temperature Range	35° - 100° F (2° - 38° C)
Shipping Weight	12 lbs.
Performance	
Chlorine, Taste and Odor Reduction Capacity	22,500 gals. (85,162 L)
Service Flow Rate	1.0 gpm (3.8 lpm)
Sediment Reduction	0.5 microns (nominal)
Scale Inhibitor	ScaleX2®

► Water Chemistry & Limits

Parameter	Max. Allowable
pH	6.5 - 8.5
Iron, Ferrous	0.30 mg/L
Manganese	0.05 mg/L
Copper	0.30 mg/L

► Replacement Cartridge(s)

Model	Description	Part Number	Qty
CTO-Q	Filter	300-05830	1
SCLX2-Q	Scale Inhibitor Filter	300-05860	1

► Options

Model	Description	Part Number
Flush Valve Kit	QT Flush Valve Kit	160-52912
Pressure Gauge Kit	QT Pressure Gauge Kit	160-52904

It is recommended that pre/post-filters and mineral addition cartridges are changed every 6 months, when capacity is reached or when feedwater pressure or flow becomes inadequate.

Membrane life varies depending on feedwater conditions and pre-filter maintenance. It is 12-18 months under typical conditions, but it can be as long as 3-5 years.

This product is for commercial use only and must be installed and maintained according to manufacturer's guidelines.

Do not use on water that is microbiologically unsafe or of unknown quality without adequate disinfection before or after the system.

OptiPure, A Division of Aquion, Inc.
101 S. Gary Ave., Suite A
Roselle, IL 60172
p: 972.881.9797 e: info@optipure.net
www.optipurewater.com

► Warranty

All system components and assembly except for filter cartridges, separation membranes, permeate pumps, electric motors, diaphragm pumps, and rotary vane pumps shall be warranted against defects in workmanship for a period of 60 months from the date of original shipment. For complete warranty information, contact OptiPure customer service or go to www.optipurewater.com.

Dealer/Distributor Info: