



ICETRO
America

WC-0070-AB

Features

- 304 Stainless Steel Exterior - Durable & Rust resistant
- Up to 70 lbs of ice production per 24 hrs
- 29lbs of Ice storage
- Adjustable Stainless Steel Legs
- Control board diagnostics
- High density urethane foam insulation
- Improved Freezing Surface Technology
- Unique Bell Shaped ice



WARRANTY

Ice Maker - Three Years Parts and Labor

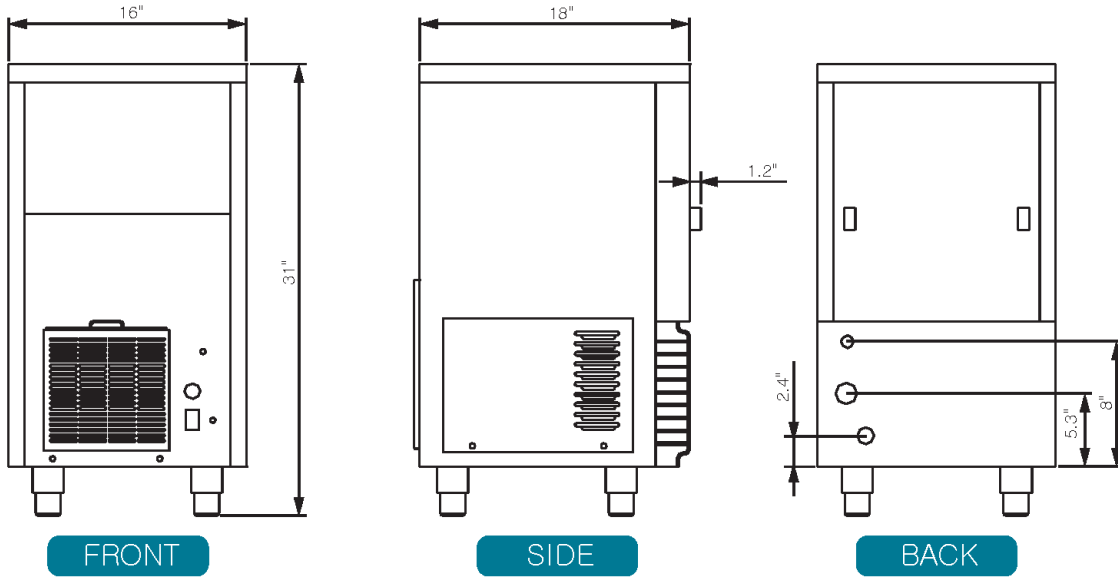
Evaporator and Compressor - Five years Parts and Three Years Labor



WC-0070 SELF CONTAINED ICE MAKER



ICETRO
America



WC-0070 SELF CONTAINED ICE MAKER

Operating Limits	Min	Max
Ambient Temperature	50°F (10°C)	100°F (38°C)
Water Temperature	50°F (10°C)	90°F (32°C)
Water Pressure	20psi(1.38bar)	80psi (5.52bar)

Dimensions	W	D	H
in	16	18.5	31

Weight	Lbs	Kg
WC-0070	110	50

SPECIFICATIONS



Ice Shape	Ice Production Per 24 hrs		Water Usage/100 lbs of ice @ 90°F air/ 70°F water	kWH Used/ 100 lbs of ice	Electrical (V/Hz/Ph)	Circuit Breaker size (A)
	70°F Air/50°F Water 21°C Air/10°C Water	90°F Air/70°F Water 32°C Air/21°C Water				
bell cube	70 lbs	53.57 lbs	25 gal	12.35	115/60/1	15

